



**MILAN VORTEX WIRELESS DOOR SENSOR
USER MANUAL**

Powered by

MILANITY
inspiring beautiful living



SLBD01

Milan Vortex Wireless Door Sensor

User Manual



Promoting Secure Living

Offered by



www.milanity.com

Table of contents

1. Introduction
2. Product Description
3. Features and Specifications
4. Installation
5. Warranty Policy

1. Introduction

Thank you for purchasing Milanity's digital living products. We have designed and developed our products with emphasis on ease-of-use and cost-effectiveness. This manual contains information on the features and specifications of this product and its installation procedures. When this product is installed and used in the intended manner, you will be able to enjoy the vast benefits that Milan Digital Living Experience (DLE) has to offer.

2. Product Description

The Milan Vortex Wireless Door Sensor is used to monitor the open/close status of the door on which it is installed. This product needs to be paired with a Milan Infoway using a web-based configuration tool called Milan Infomap (see separate instructions for using this software).

3. Features and Specifications

The following are the key features and specifications of this product:

Features	Specifications
Compact in size and easy to install	Z-Wave enabled wireless sensor
Enables electronic monitoring of doors and windows through the Milan DLE app	Magnetic separation trigger function
If an intruder enters a protected area, siren will sound and SMS or email alerts will be sent	Hidden tamper prevention trigger
Easy to integrate with Milan Infoway using Milan Infomap	Low Battery Detection
When integrated with Milan DLE, it is possible to trigger actions such as turning on lights or opening curtains when a door opens	Tamper Switch
	100 feet line-of-sight
	LED Status Indicator
	Operating Temperature: -15 C~60 C
	Working Voltage: 3V
	Frequency: 865.2 MHz (India)

4. Installation

It is easy to install the Milan Vortex Wireless Door Sensor.

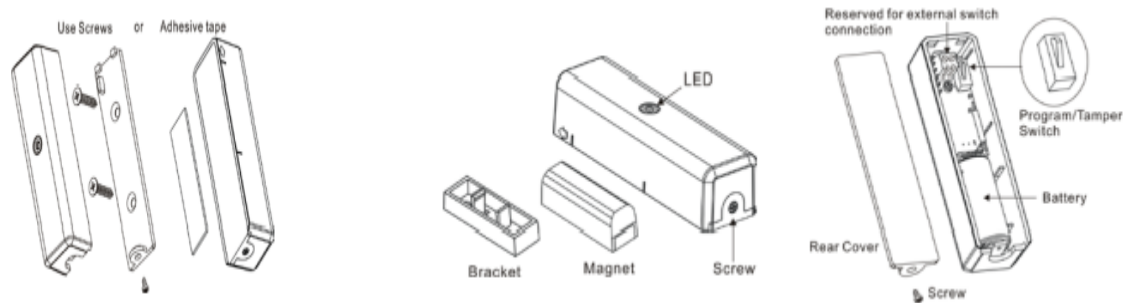


Figure 1: Milan Vortex Wireless Door Sensor

Step 1: Release the cover tab to open the cover and insert the battery in its compartment. The LED will now begin to flash slowly

Step 2: Integrate the Milan Vortex Wireless Door Sensor with a Milan Infoway

- a. Ensure that the Milan Infoway is functional
- b. Open Milan Infomap configuration tool in a web browser (see separate instructions for using this software)
- c. Click on the "Security" tab from the Milan Infomap menu
- d. Click on the "Wireless Security" tab from the Milan Infomap menu
- e. Click the "Add" button
- f. Press the Program Switch (see Figure 1) at the back of the sensor twice in quick succession
- g. Check if this sensor has been added to the list of wireless sensors in Milan Infomap (when successfully added you will see the Product Name, Manufacturer, Product Type and the Node ID)
- h. If the sensor has not been added to Milan Infomap, please repeat steps f and g above ensuring that the Milan Infomap is still in the Add mode in the Wireless tab
- i. Should you ever need to remove this sensor from your Milan DLE, please follow the same steps as above except select the "Remove" button in step e above

Step 3: Install Milan Vortex Wireless Door Sensor in the desired place with adhesive tape or with screws on the Door / Door Frame. You can now experience the benefits of Milan DLE offered by this product.

5. Warranty Policy

This Limited Warranty offered to the original purchaser only applies to products purchased directly from a Milanity authorized partner by the original purchaser. Milanity warrants this product for one (1) year from the date of purchase with respect to defects arising from materials or workmanship, with the exceptions as stated below.

This Limited Warranty does not cover damages resulting from misuse, accident, modifications or alterations to the hardware or software, tampering, using the product in an unsuitable environment, improper maintenance or failure to use the product as specified in the instructions.

All Rights Reserved. © 2015 Milanity. All non-Milan DLE brands and product names are trademarks or registered trademarks of their respective companies. Product appearance and/or specifications are subject to change without notice.

